

ALITHERM HERITAGE SECTION IDENTIFICATION GUIDE



Profiles

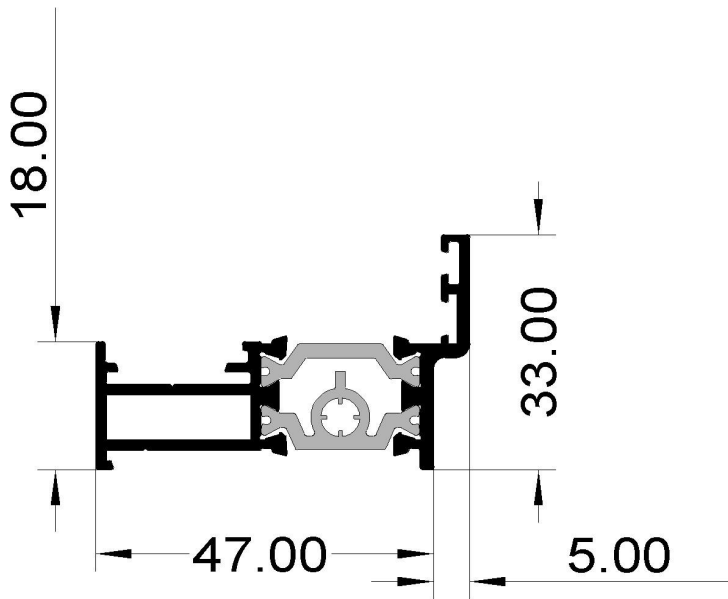
Outerframes	3
Sash	4
Beads & Astragal Bars	5
Transoms & Mullions	6
Add-ons & Corner post	7
Couplers	8
Cills	9-10

Section drawings

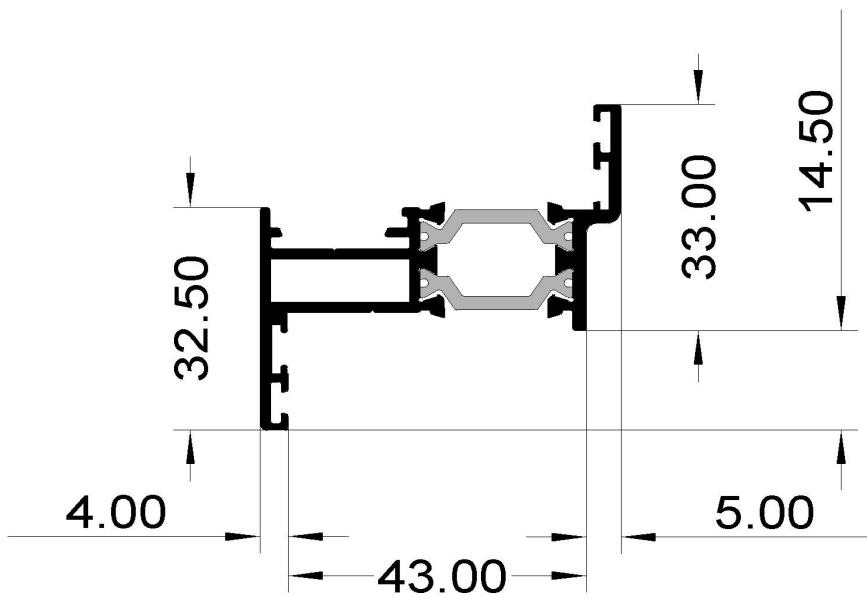
Fixed Frames	11
Sash details	12
Fixed and openers on cills	13
Transom/Mullion details	14
Add-on & Extension details	15
Coupling details	16
Astragal bars	17
Door threshold details	18

Outer-frames

W20015 - Equal leg

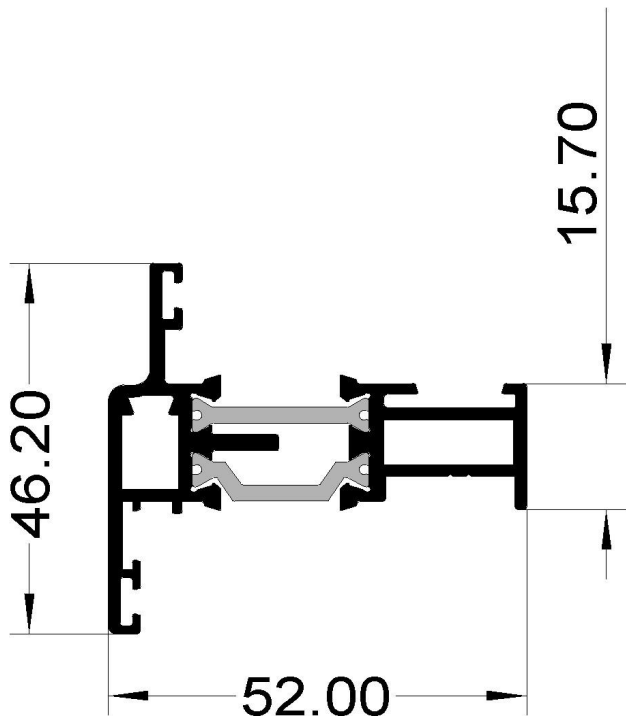


W20016 - Odd leg

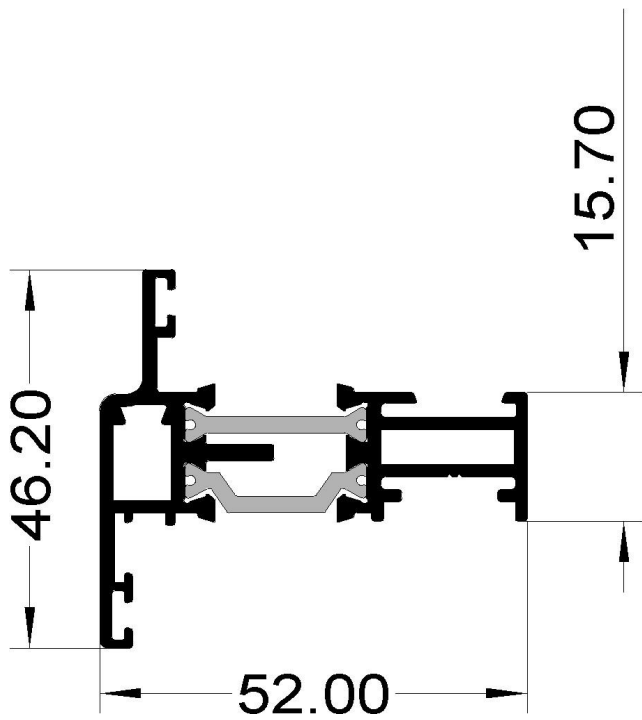


Sashes

W20025 - Window sash



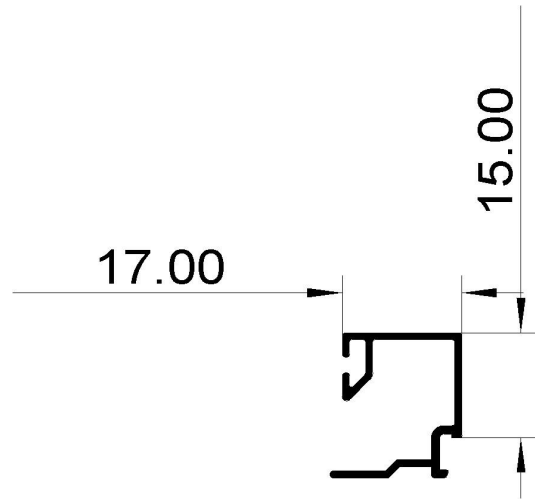
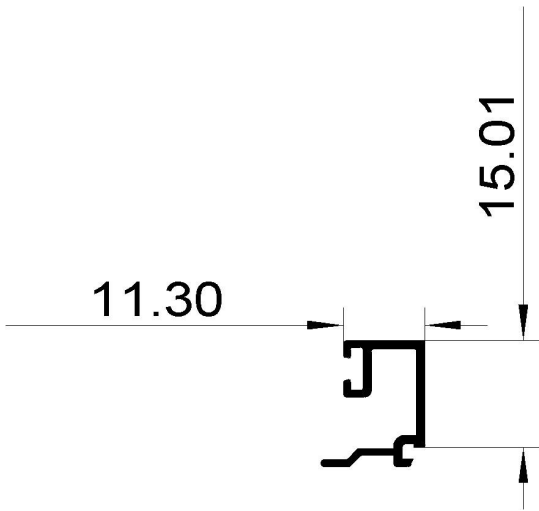
W20027 - Door Sash



Beads & Astragal Bars

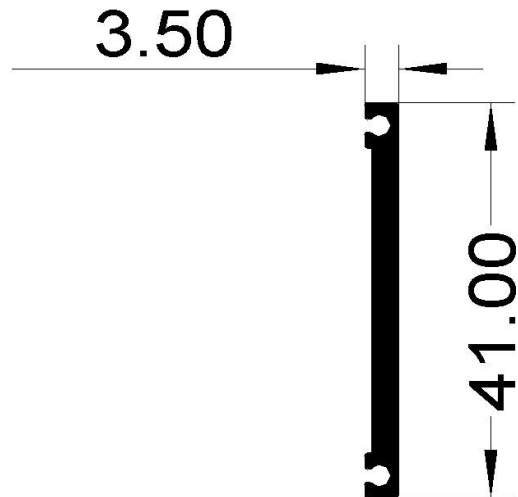
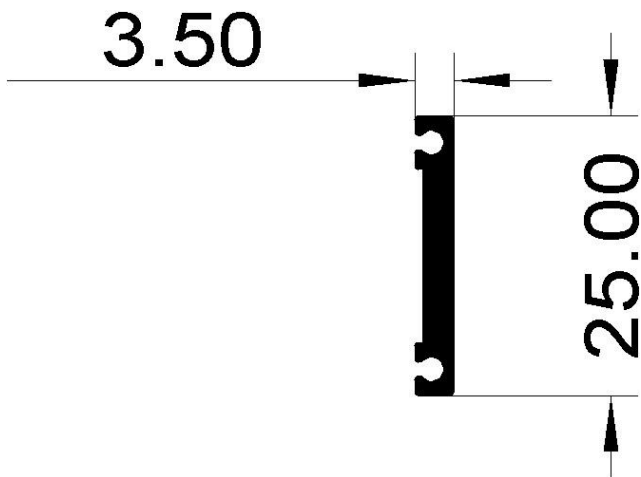
W20168 - Internal Bead

ETC370 - External Bead



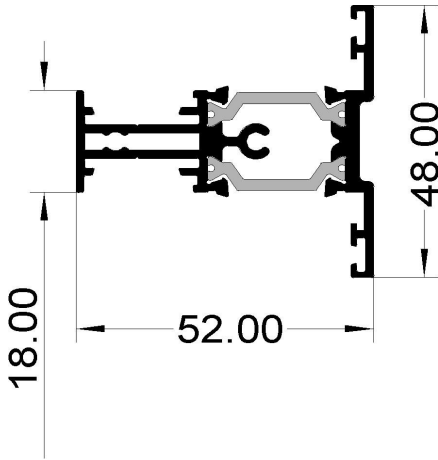
W20165 - 25mm Astragal Bar

W20166 - 41mm Astragal Bar

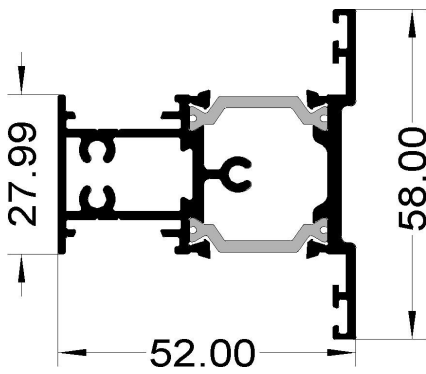


Transoms & Mullions

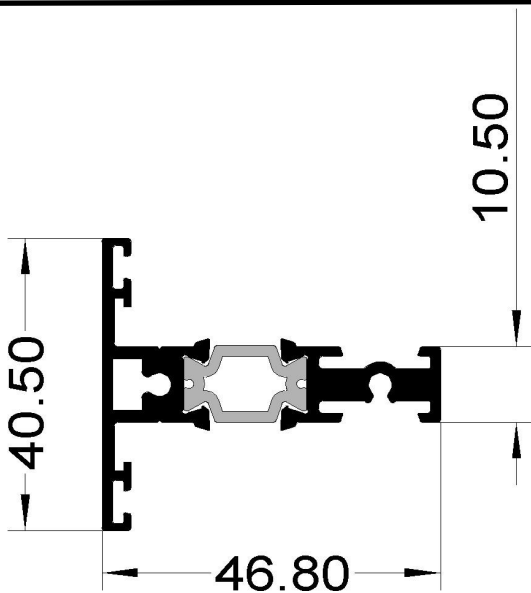
W20035 - Narrow Mullion/Transom



W20034 - Wide Mullion/Transom

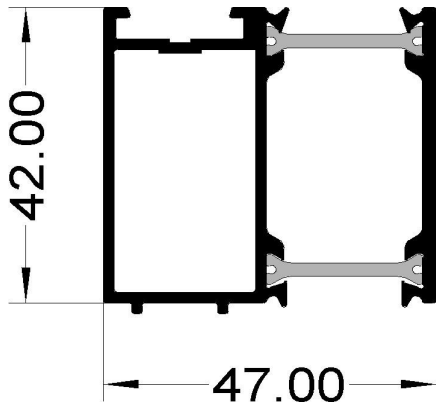


W20037 - Door Transom

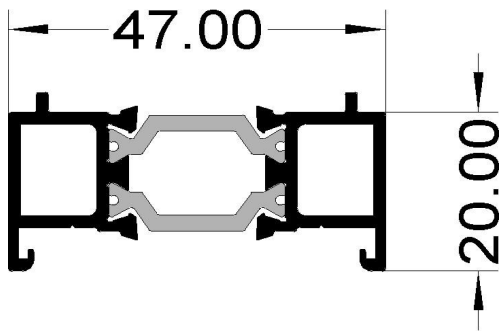


Add-On & Corner Post

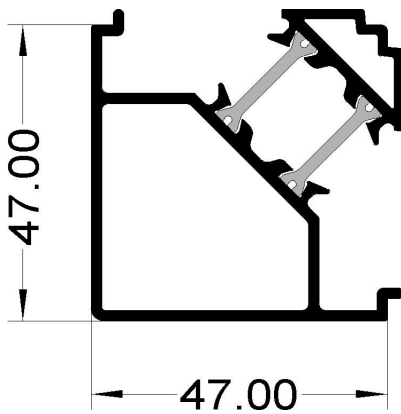
ETD048 - 42mm Head Extension



ETD056 - 20mm Add-On

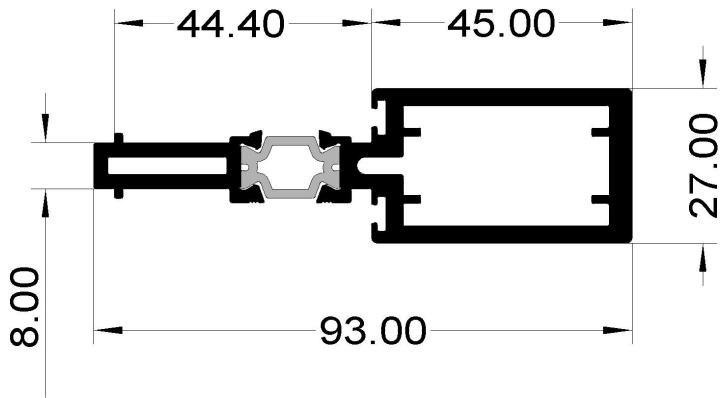


ETC047 - 90 Degree Corner Post

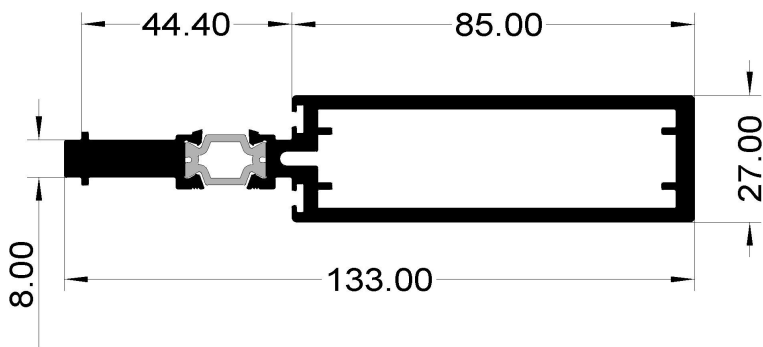


Couplers

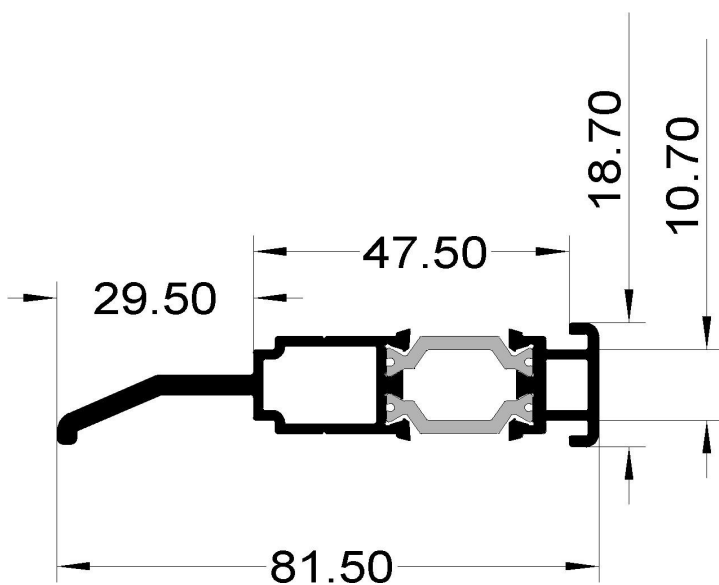
W20051 - Vertical Coupling Mullion



W20054 - Deep Vertical Coupling Mullion

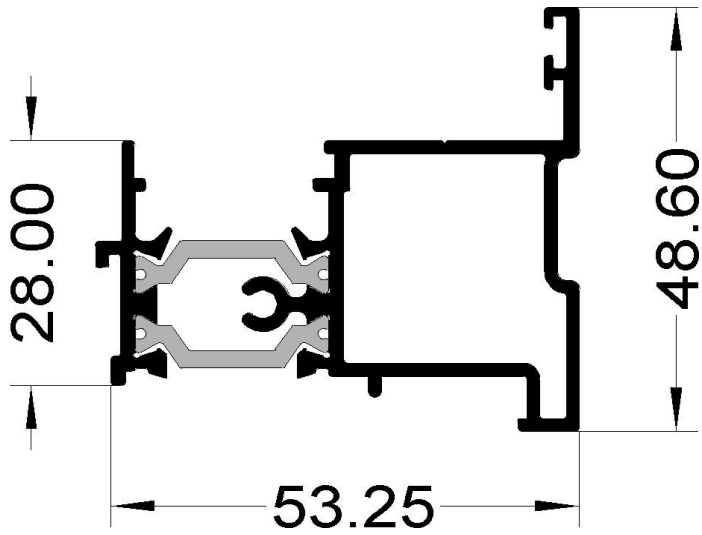


W20485 - Horizontal Coupler with Drip Bar

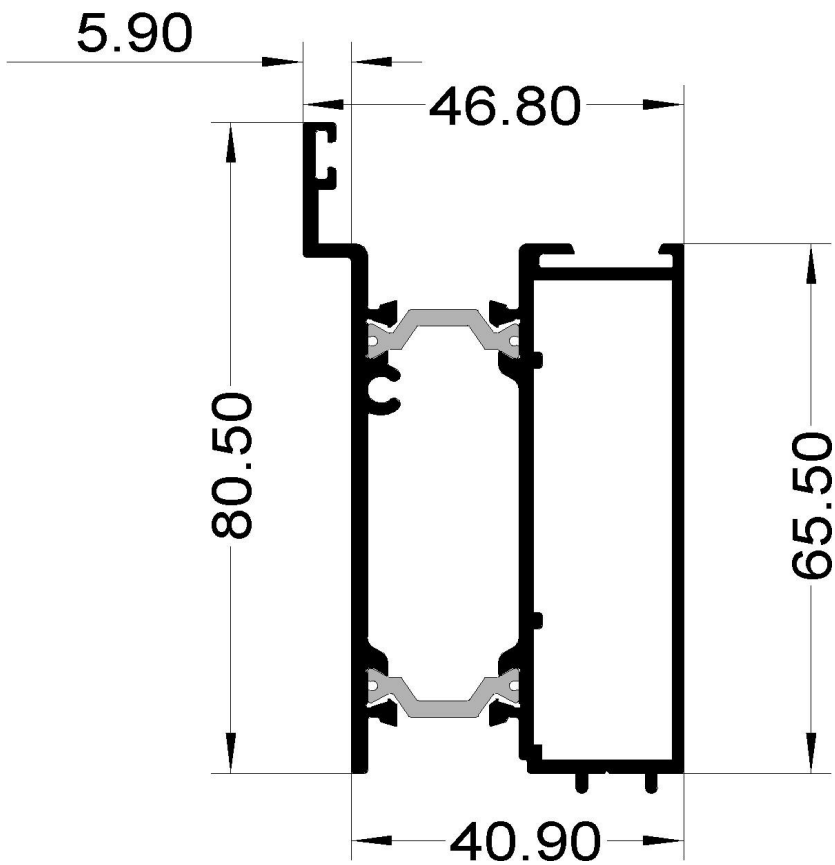


Door Stile & Door Handle Block

W20048 - Door Meeting Stile

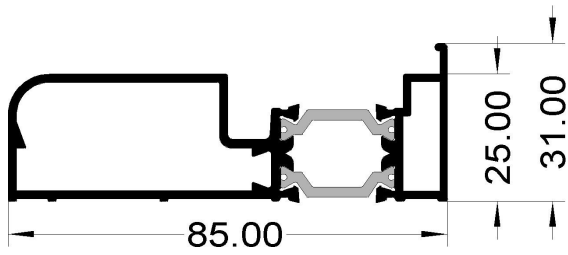


W20038 - Door Handle Block

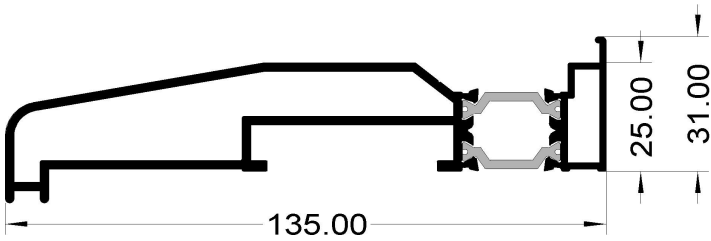


Cills - Window and Door

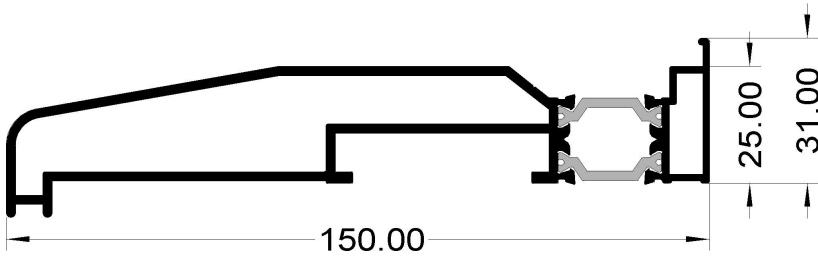
ETC178 - 85mm Stub Cill



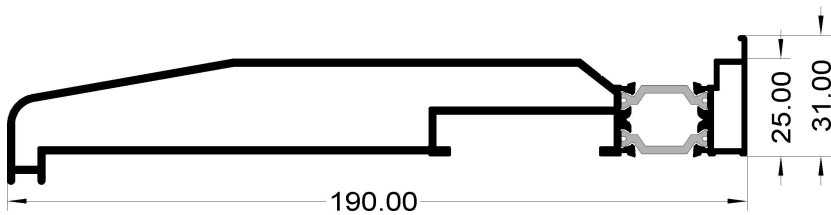
ETC152 - 135mm Projection Cill



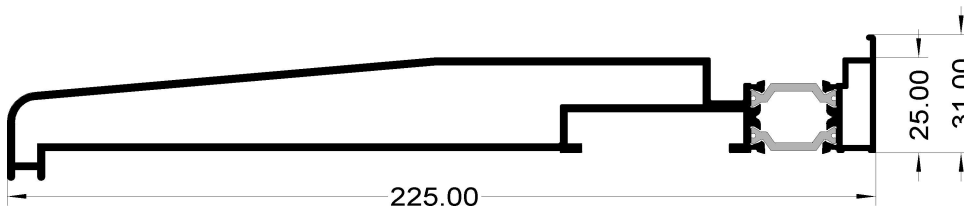
ETC157 - 150mm Projection Cill



ETC158 - 190mm Projection Cill

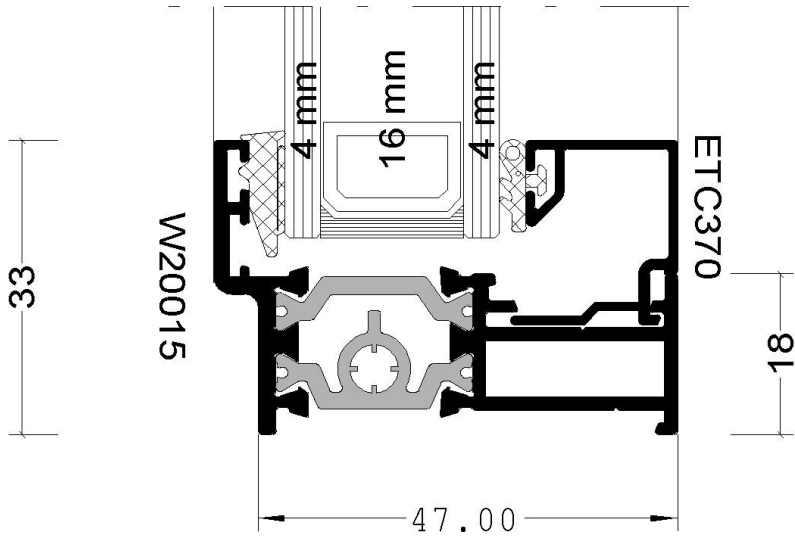


ETC179 - 225mm Projection Cill

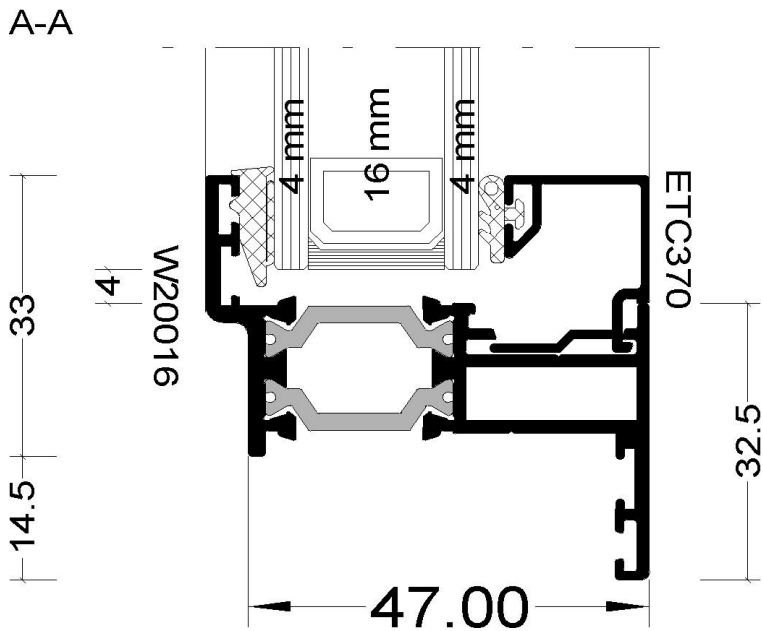


Fixed Frames

Equal Leg Frame - Window and Door

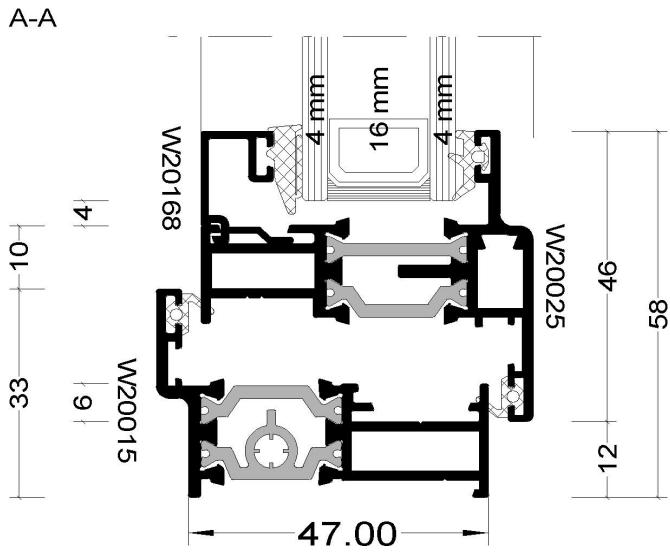


Odd Leg Frame

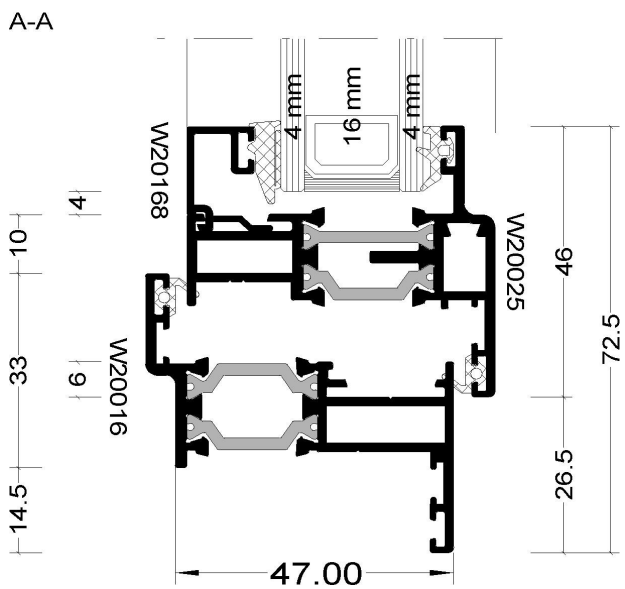


Sash details (Openers)

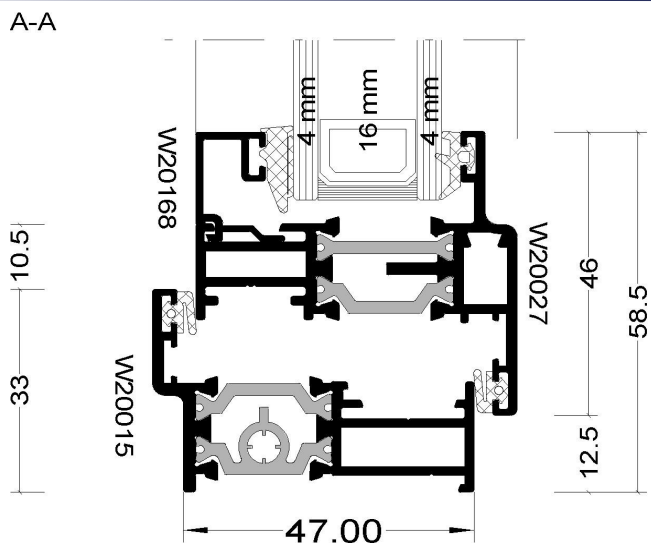
Equal leg outer-frame with sash - Window



Odd leg outer-frame with sash

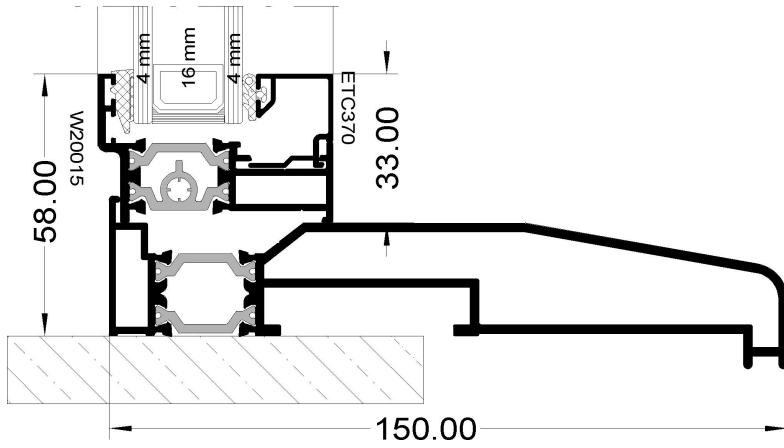


Equal leg outer-frame with sash - Door

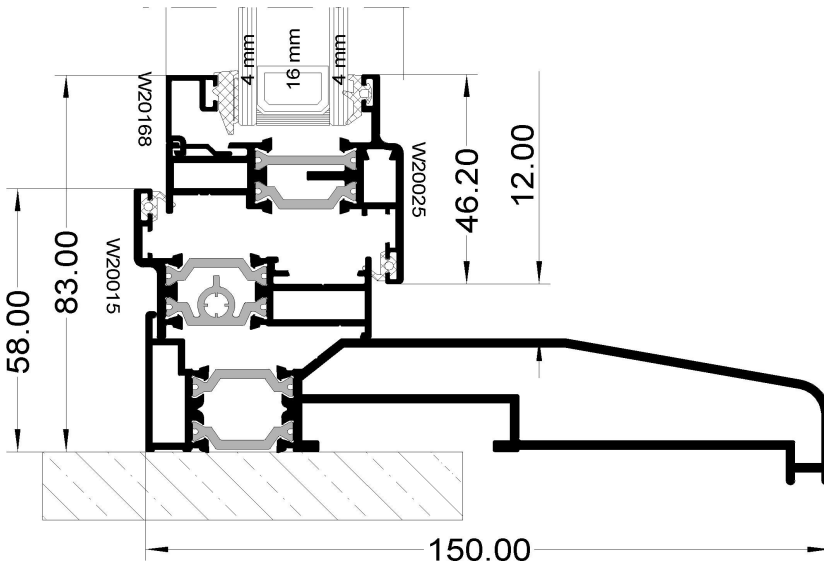


Fixed & Openers On Cills

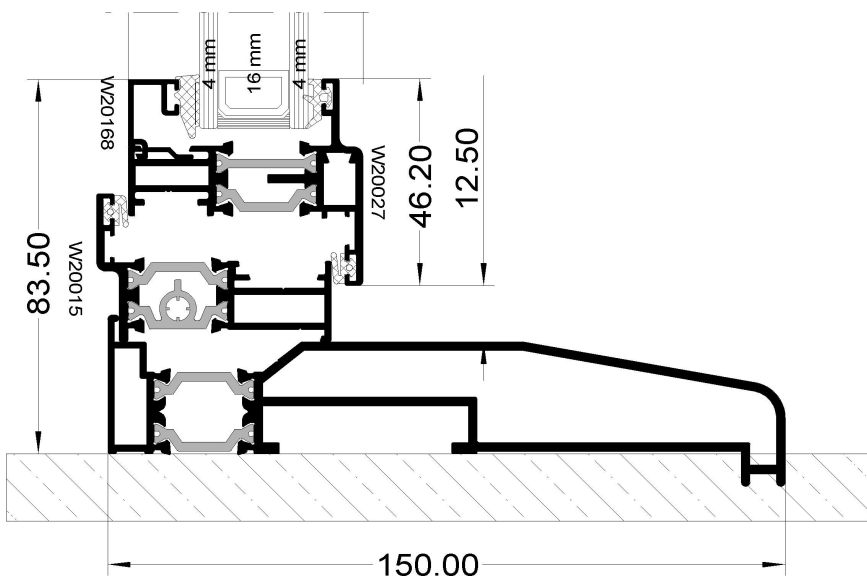
Fixed Frame - Window and Door



Equal leg frame and sash - Window



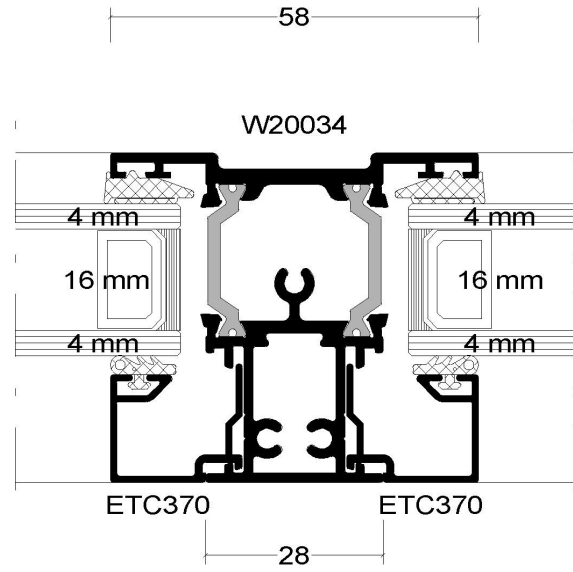
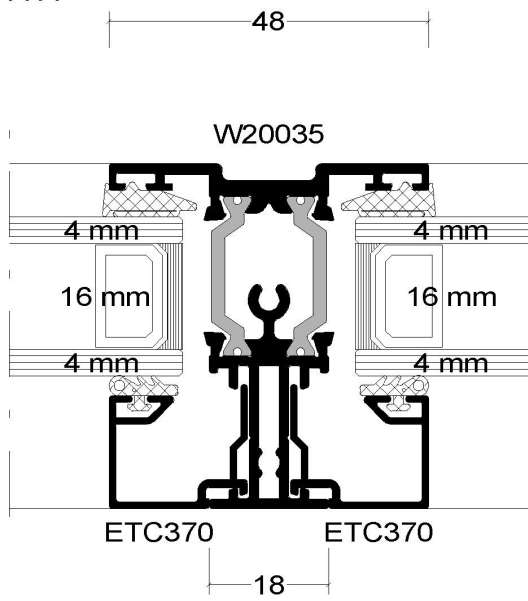
Equal leg frame and sash - Door



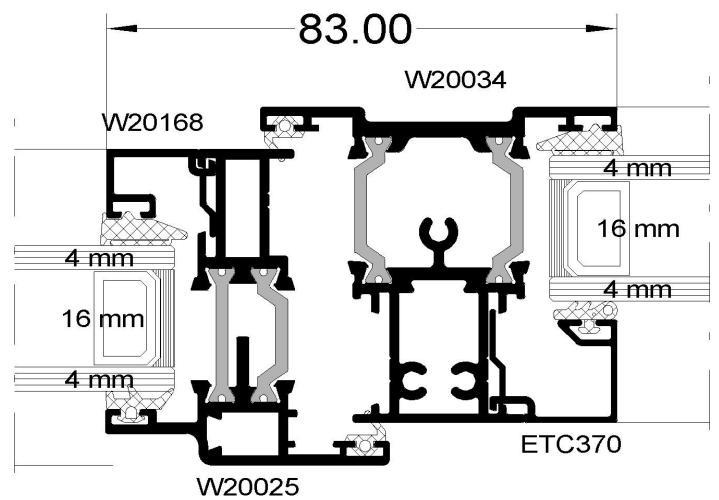
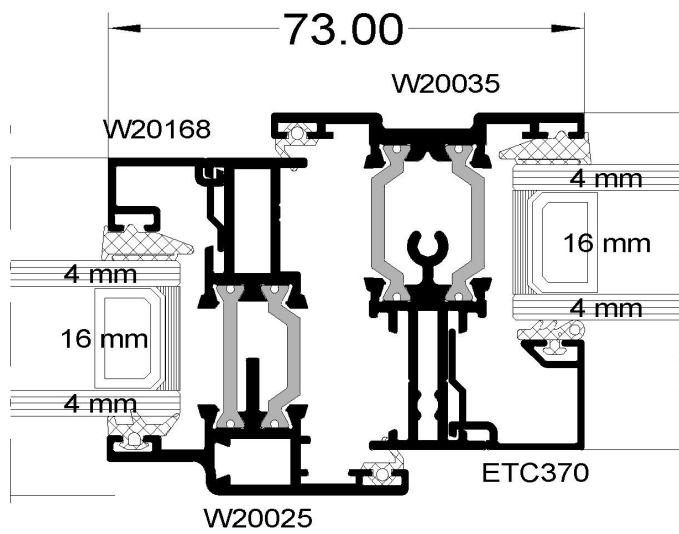
Transom and Mullion details

Fixed lite next to fixed lite

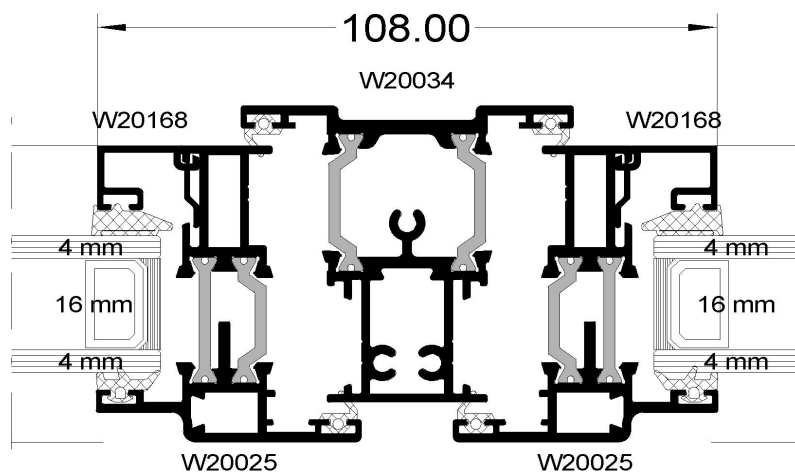
A-A



Fixed next to an opener

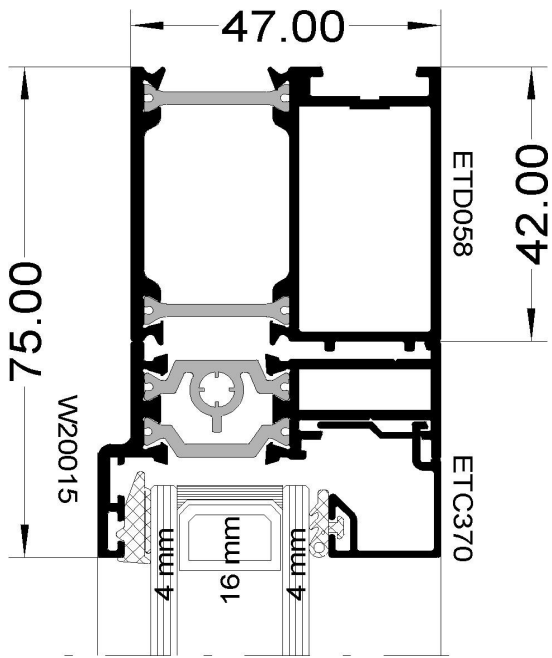


Opener next to an opener

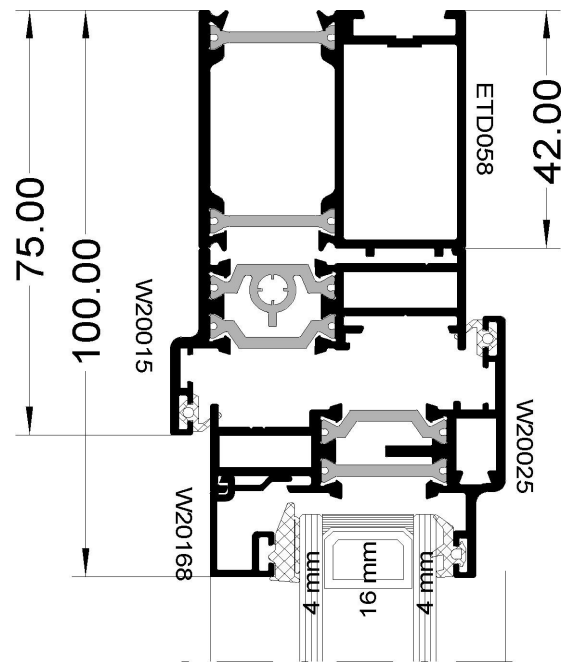


Add-on And Extension Details

Head extension on a fixed frame

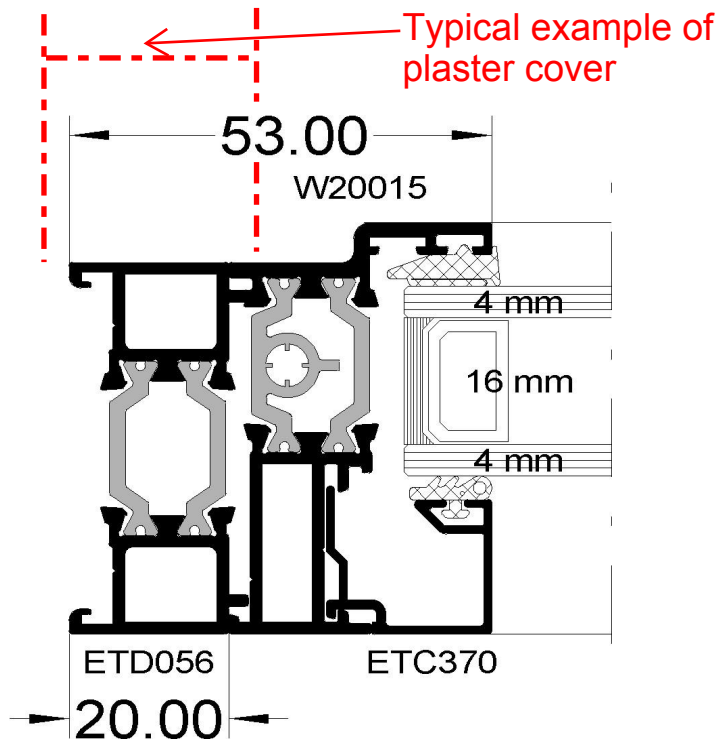


Head extension with sash

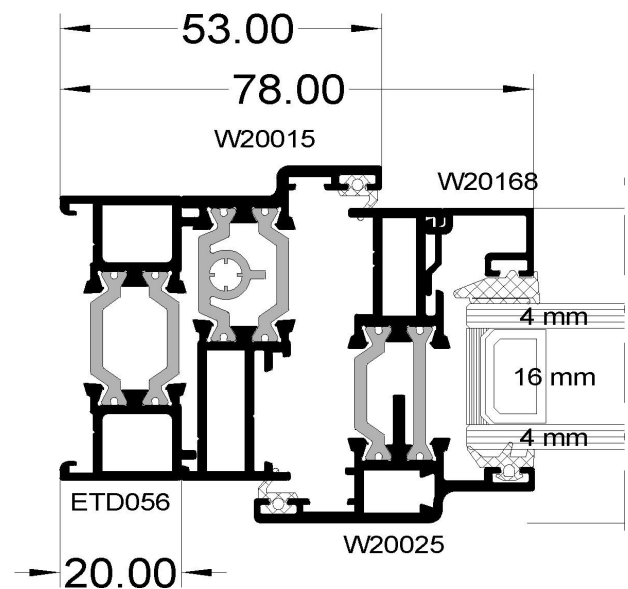


Head extension normally used for trickle vents if required or large differences in internal and external measurements.

20mm Add-on on a fixed frame



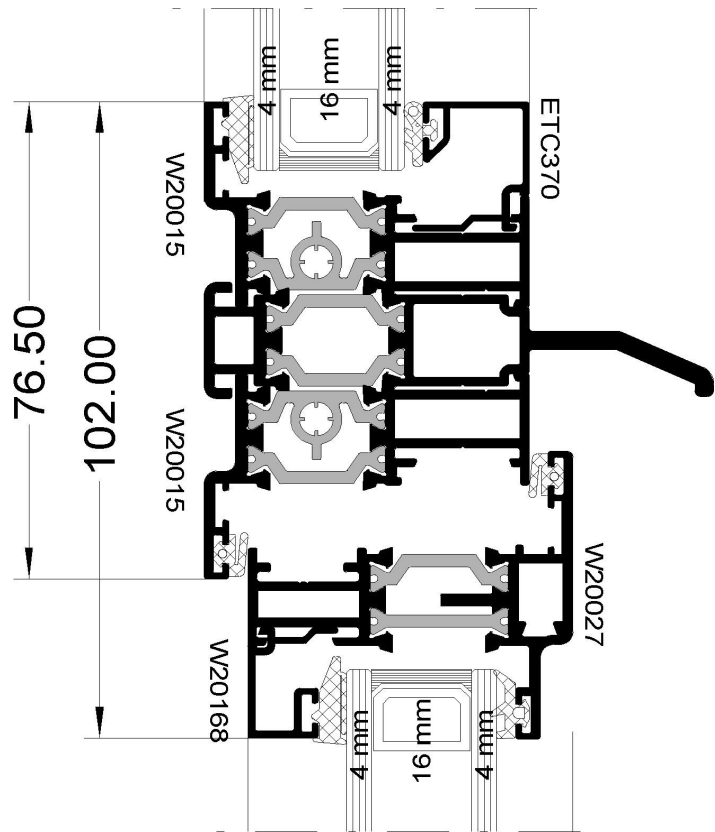
20mm Add-on with sash



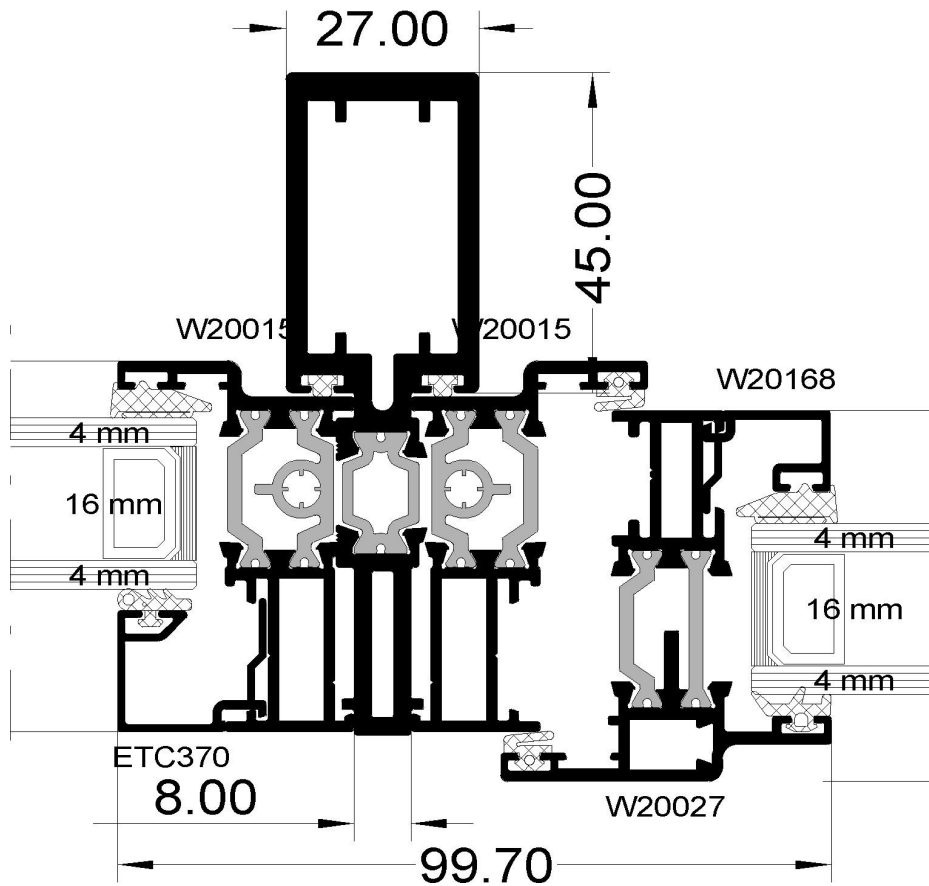
20mm add-on normally used to assist with internal/external reveals i.e. plasterboard, render and flooring.

Coupling details

Horizontal coupling example

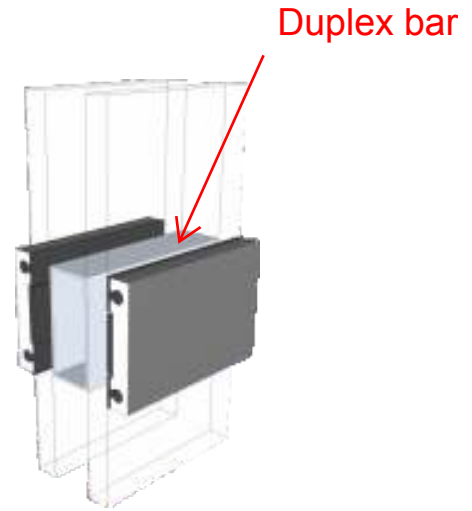
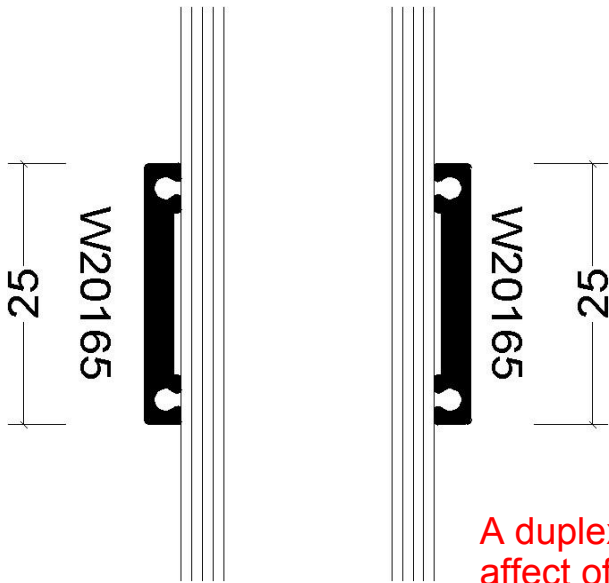


Vertical coupling example



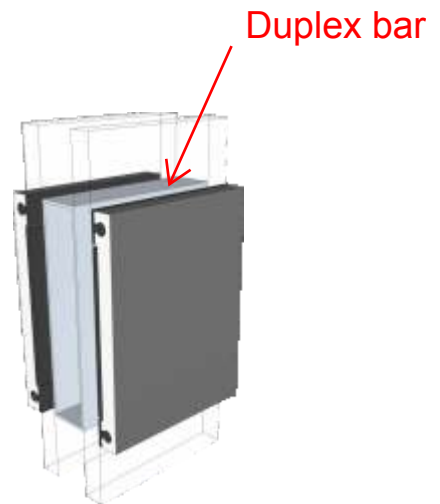
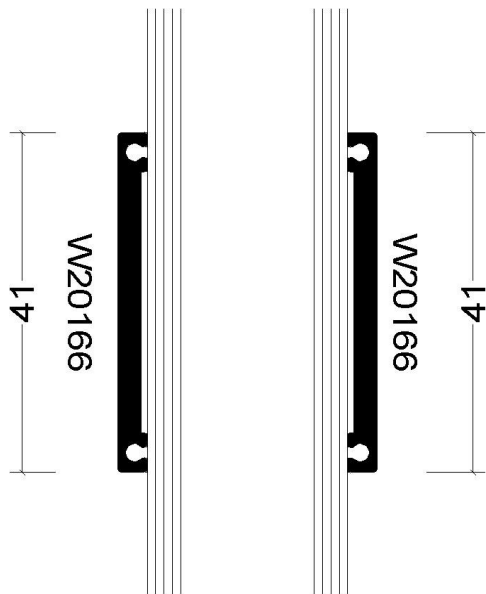
Astragal Bar Details

25mm flat astragal bar



A duplex bar is used inside the glass unit to give the affect of separate units

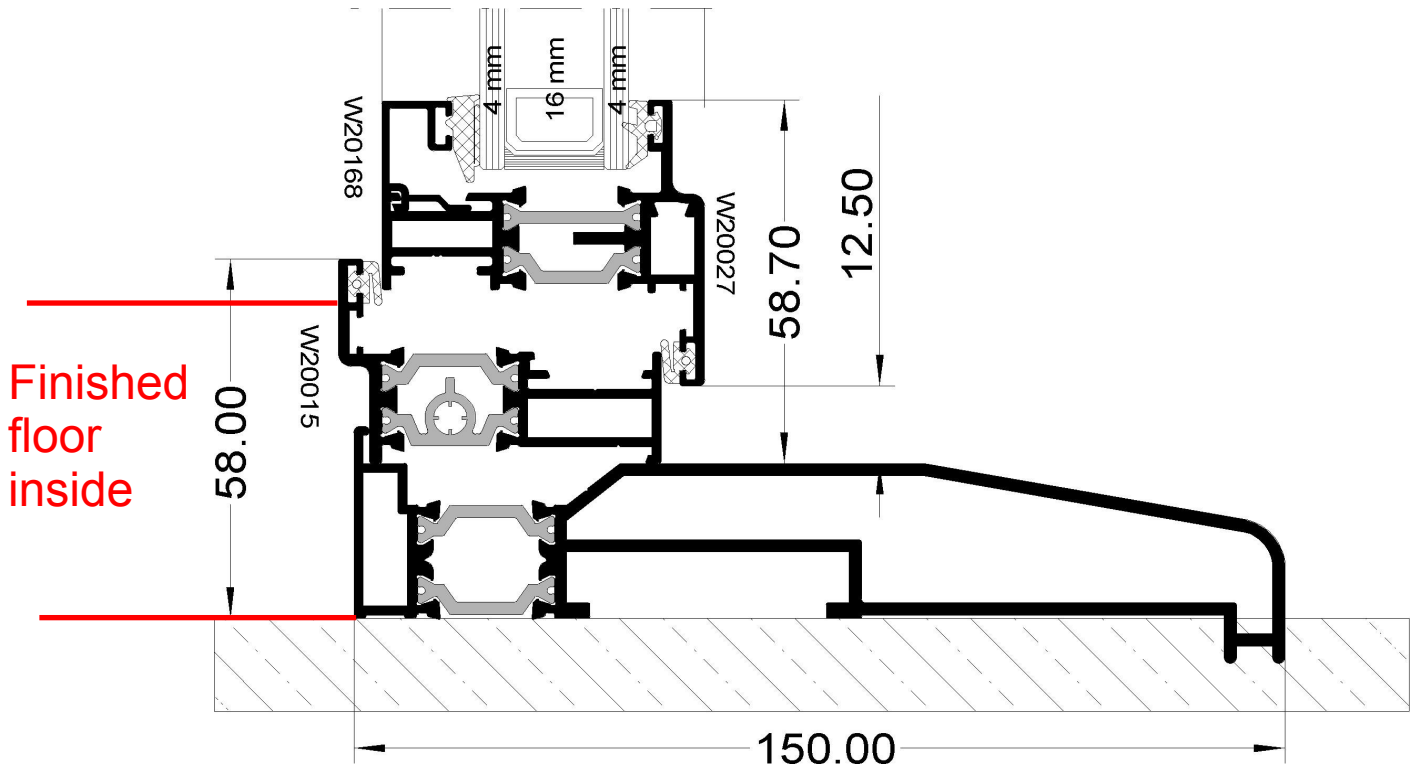
41mm flat astragal bar



A duplex bar is used inside the glass unit to give the affect of separate units.

Door threshold details

Flush door threshold option (can be achieved without a cill)



Side light detail when using the threshold detail above.
This prevents losing the side light profile below the floor finish

